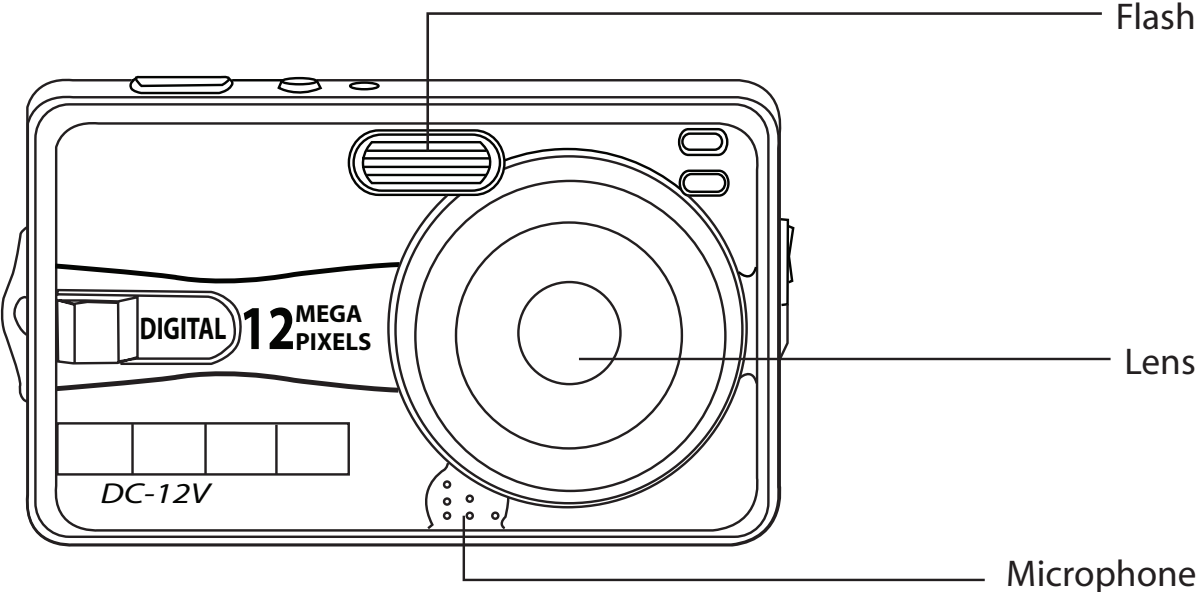
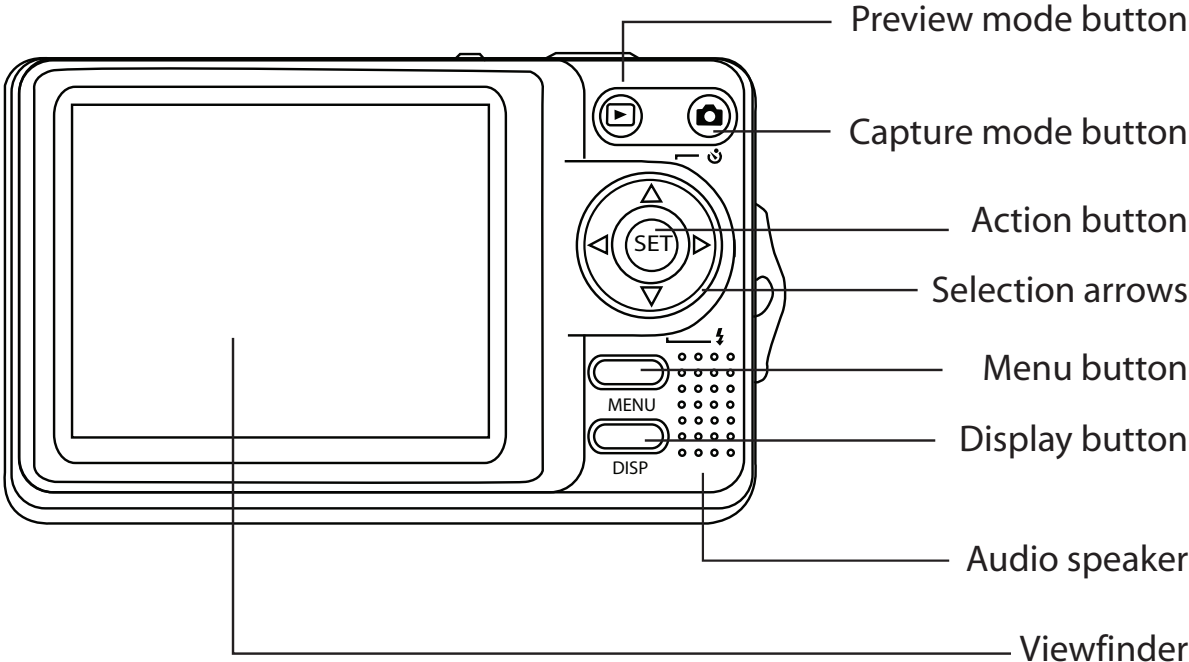
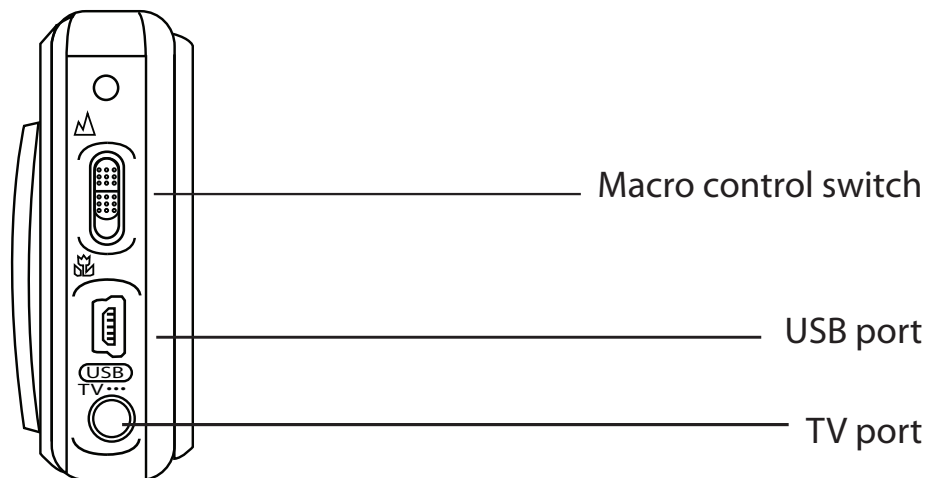
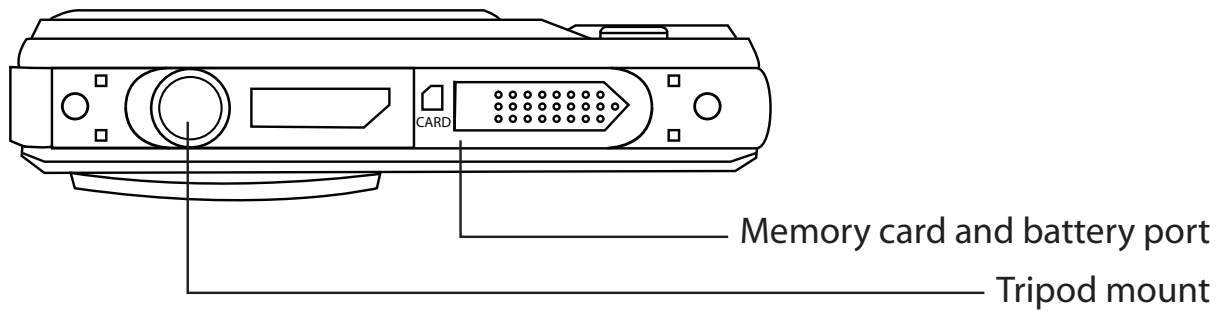
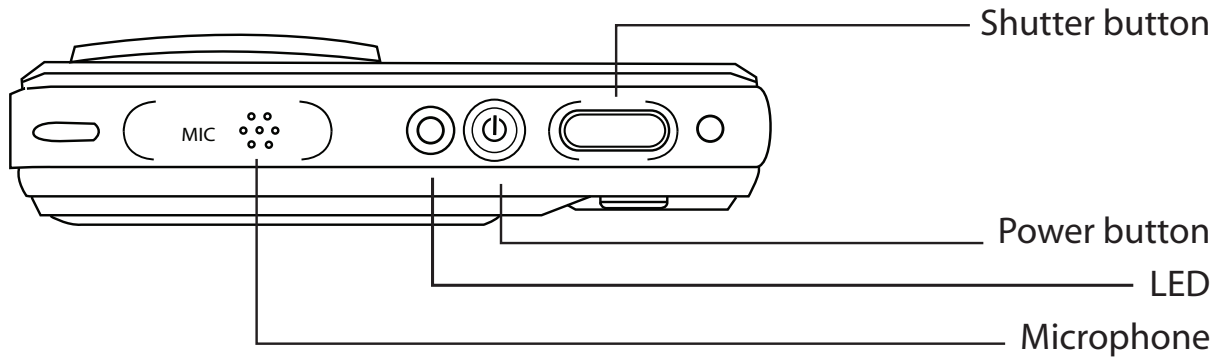


Getting To Know Your Camera

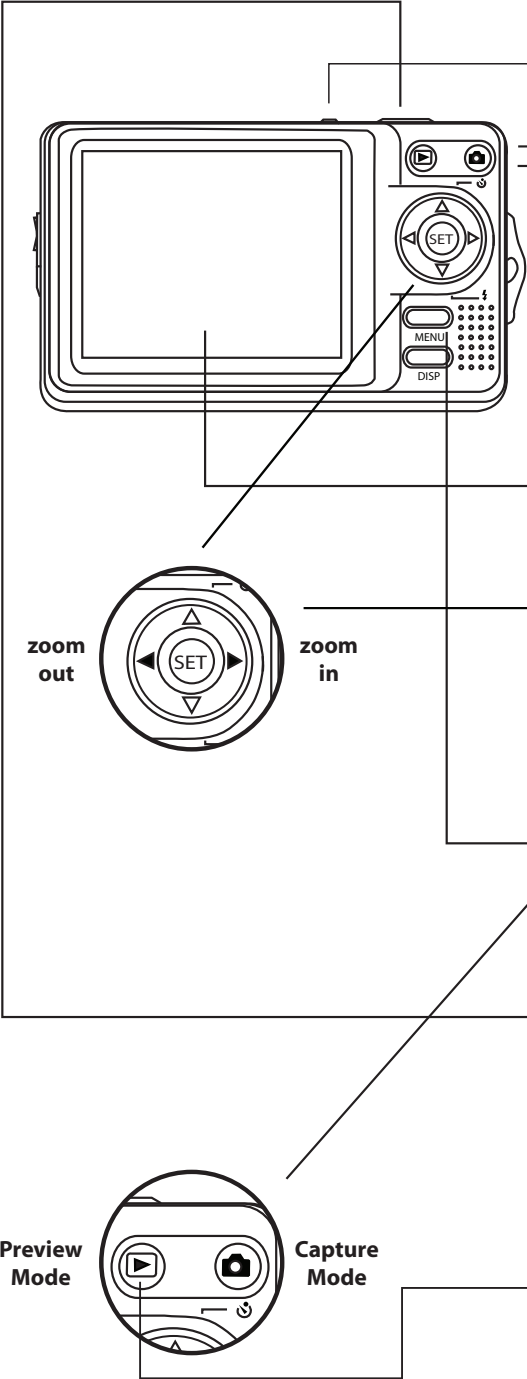
What's What?





Using Your Camera

Taking a photo



The diagram shows a camera with several callouts pointing to specific controls:

- Power button:** Located on the top of the camera.
- Capture Mode button:** A button with a camera icon on the right side of the control panel.
- Viewfinder:** The large rectangular screen on the back of the camera.
- Zoom controls:** A circular control with a central 'SET' button and four arrow buttons (up, down, left, right). The left arrow is labeled 'zoom out' and the right arrow is labeled 'zoom in'.
- Menu button:** A button labeled 'MENU' on the control panel.
- Preview Mode button:** A button with a play icon on the left side of the camera's front view.
- Capture Mode button:** A button with a camera icon on the right side of the camera's front view.

- 1) First of all, make sure that your camera is switched on. Do this by pressing the Power button on the top of the camera.
- 2) Secondly, the camera must be in capture mode, achieved by pressing the Capture Mode button here.
- 3) Point your camera at the subject to compose your image which will appear in the viewfinder here.
- 4) To zoom in or out on your subject, use the left right arrow buttons on the camera's control interface as shown.
- 5) You can edit the settings of your camera to create different effects, or to achieve a better picture. Access the Capture Mode menu by pressing the Menu button while in Capture Mode to see a list of adjustable settings.
- 6) Holding the camera as still as possible, gently press the Shutter button to take the picture. Depending on your camera settings, the image may take up to four seconds to record. You will have to keep the camera still for the duration of the shot to achieve a clear image.
- 7) You will know the picture is taken when the image freezes for a moment on the viewfinder, and then slides off to the left. To view any images you have taken, press the Preview Mode button to move to the Preview Mode screen.
- 8) If you're happy with your photos, then repeat steps 2, 3, 4 and 6 to continue taking photos. To alter the camera's settings, return to step 6. Otherwise to step 9 to finish.
- 9) To turn off your camera, simply press the power button as in step 1.